

## Features

- Fiber transport from 5Mbps to 3Gbps
- Supports SMPTE 424M, 292M, 259M, 310M, 344M, 305M & DVB-ASI
- Equalizes up to 120m of Belden 1694A cable at 3 Gbit
- Equalizes up to 150m of Belden 1694A cable at 1.485 Gbit
- Supports embedded audio and data
- Color OLED Display w/ button joystick for navigation
- Monitor laser status, data rate, HD lock, Power
- Turn reclocking on/off
- Multimode or Singlemode
- ST, SC, LC, FC
- Small, rugged, portable
- Stand alone or rack
- SEVEN year warranty

## Applications

- Sports production
- Remote camera links
- Distance learning
- OB Van Inter-connects
- Pre-fibered venues
- Courtesy feeds



## LIGHTBRiX

**Small in Size But Big on Features and Value**

The HD-3000-II takes the solid performance of the original HD-3000 Series and adds numerous convenience features to give you unmatched diagnostic and status reporting.

With six new models to choose from, the 3000 Series allows you to not only send signals from point-to-point, but also to drop off a signal and continue on with fiber to one or more locations. Depending on the model, you can have loop BNC outputs and loop fiber outputs. And with the ability to EQ up to 120m of coax at 3Gb speeds, you have the flexibility to easily customize your signal distribution.

But what really makes these new modules different is the 1" (diagonal) color OLED display that isn't just for looks. The display is enabled by a proximity sensor on the faceplate so there is no distraction from a display that is always on. Menu navigation is via an easy-to-use button joystick. Not only will the OLED inform you of laser status and type of SDI input, you will also be able to turn reclocking on/off and see exactly what your received optical power is.

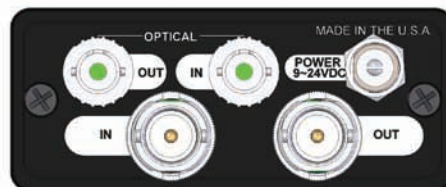
Having all of this information at the touch of a button is essential in allowing you to monitor and, if necessary, troubleshoot your signals.

These modules can be fitted with the optical connector of your choice (ST, SC, LC) and will operate on multimode or singlemode fiber. Though, for best performance over longer distances at the highest bit-rates, singlemode fiber is recommended.

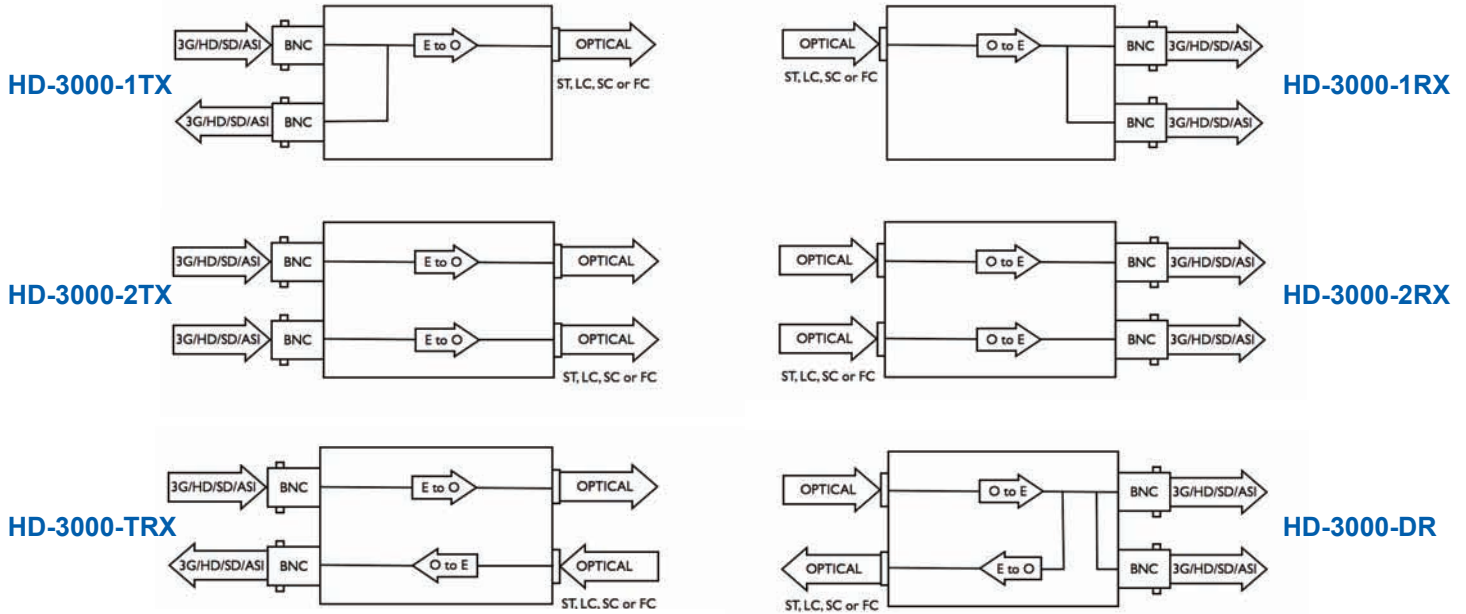
The HD-3000's can be used as stand-alone modules or six units can be racked mounted into a single RU via our convenient rack kits. They are also fully compatible with our Light-Box and LightCube portable systems and the EOS router/patch-bay.

The 3000 Series. SDI transport with the flexibility to manage varying signal topographies and status indications in plain language without cryptic LEDs.

Designed and manufactured in New York.



## Block Diagrams



## Specifications

### Video

Bit Rates: 5Mbps to 3Gbps  
 # of Ins/outs: 1 or 2 BNC(model dependent)  
 Impedance: 75 Ohms  
 Level: 800mV (peak to peak)  
 Standard: SMPTE 425M, 297M, 292M, 259M-C & DVB-ASI  
 Bit Error Rate (@-22dBm)  $10^{-11}$   
 Return Loss: >15 dB at 5 MHz - 1.485 GHz  
 >10 dB at 1.5 GHz to 3 GHz  
 Jitter(wideband) < 0.3 UI  
 Rise/Fall times < 120pssecs

### Optical

Wavelengths: 1310 or 1271-1611  
 Optical Connector: ST, SC or LC  
 Optical Source: FP laser or CWDM DFB  
 Optical Detector: PIN Diode  
 TX Output: -7 Standard (0 DFB)  
 RX Sensitivity: -22 dBm  
 Link Margin: 15 to 22 dB (up to 40km)  
 Fiber Type: Multimode or Singlemode  
 Singlemode recommended  
**Cable Length Equalized (w/Belden 1694A)**  
 3 Gbps: >120m  
 1.485 Gbps: >150m  
 143-360 Mbps: >350m

### Environmental/ Electrical

Power: 9-24 VDC  
 Consumption: <5 Watts  
 Temperature: 0 to +70C  
 Humidity: 0-95% RH non-condensing  
 Dimensions: 2.75 x 1.125 x 5 inches  
 Weight: 7 oz.  
 Display: 1 inch color OLED w/ proximity sensor indicates Power, Data Rate, Data Lock, Laser Status, Reclocker Status & Laser Status  
 Button joystick

## Ordering Information

Module	Choose ST, SC or LC	Power Supply Included
HD-3000-1TX	3Gbps Multi-rate Serial Digital Video Transmitter @ 1310nm, -5dBm for: SD/HD/3G-SDI, DVB ASI, SMPTE 310M	
HD-3000-1RX	3Gbps Multi-rate Serial Digital Video Receiver, Sensitivity -20dBm for: SD/HD/3G-SDI, DVB ASI, SMPTE 310M	
HD-3000-TRX	3Gbps Multi-rate Serial Digital Video Transceiver, Sensitivity -20dBm for: SD/HD/3G-SDI, DVB ASI, SMPTE 310M	
HD-3000-2TX	Dual 3Gbps Multi-rate Serial Digital Video Transmitter @ 1310nm, -5dBm for: SD/HD/3G-SDI, DVB ASI, SMPTE 310M	
HD-3000-2RX	Dual 3Gbps Multi-rate Serial Digital Video Receiver, Sensitivity -20dBm for: SD/HD/3G-SDI, DVB ASI, SMPTE 310M	
HD-3000-DR	3Gbps Multi-rate Serial Digital Video Drop Transmitter @ 1310nm, -5dBm for: SD/HD/3G-SDI, DVB ASI, SMPTE 310M Optical IN and OUT with two BNC outputs	
<b>Optional Optical</b>		
Single Fiber Operation	Please contact factory or your local reseller	
CWDM Wavelengths	Please contact factory or your local reseller	
<b>Accessories</b>		
RM6	6 unit rack-mounting kit, mount 6 HD-1500, HD-3000, SD-270 or HDMI-ONE in 1 Rack Unit	
BP-6	Blank panel for RM6 rack-mounting kit	
HD-3000-PS	Spare Power Supply for HD-3000 & HD-1500 units	

