

# AV

## PORTABLE CABLE STORAGE REELS

For fast rollout and storage.

- Broadcast and pro-audio applications. The reels are stackable and have side mounted connector panels.
- Features optional heavy-duty casters.
- Rugged steel and aluminum construction throughout. Square tubing frame.
- Black, non-reflective matte finish.
- Removable side panel (blank panel is supplied as standard)
- Standard strain relief inside panel compartment.
- Frame clips allow stacking.
- Ergonomic carrying handles.
- Adjustable Cam-lock drag brake.
- Features optional heavy-duty, locking caster wheels (set includes 2 locking and 2 non-locking casters) available on AV-2 reel. P/N 9949.0072



**AV-1**  
Standard Configuration Shown



**AV-2**  
with Optional Casters (cable not included)



Cam-lock shown on AV-2

### Parts Drawing – AV-1 - ISO 190, AV-2 - ISO 191

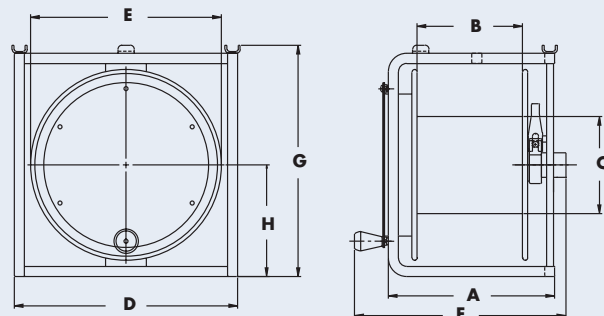
Model Number	Cable Capacity of Reel							Approx. Weight without cable		Reel Dimensions								
	O.D. (in) O.D. (mm)	.245 6	.375 10	.41 10	.45 11	.49 12	.58 15	.67 17	NET	SHIP	A	B	C	D	E	F	G	H
AV-1		600 183	225 69	200 61	150 46	125 38	-	-	14 6	53* 24	10.5 267	7 178	6 152	13.75 349	11.75 298	14.25 362	14.25 362	7 178
AV-2		-	-	750 229	600 183	500 152	350 107	250 76	25 11	65* 29	13 330	9 229	8 203	20 508	18 457	16.25 413	20.5 521	10 254

**Notes:**

Specifications subject to change.

**1. Be sure to check dimensions and weights prior to ordering.**

\*Dimensional weight applies when shipped as a parcel package (via FedEx or UPS Ground)



AV-1 and AV-2